

Why do we need cover to reinforcement?

to protect the steel **reinforcement** bars (rebars) from environmental effects to prevent their corrosion; to provide thermal insulation, which protects the **reinforcement** bars from fire, and; to give **reinforcing** bars sufficient embedding to enable them to be stressed without slipping.

What is cover to reinforcement?

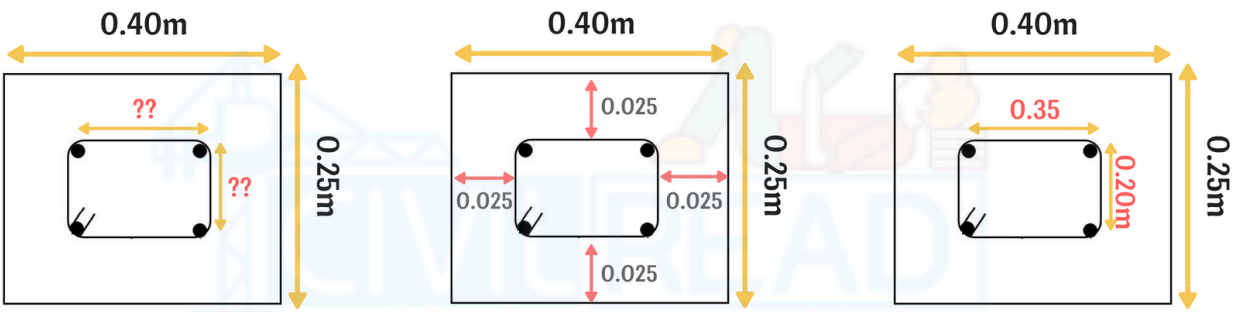
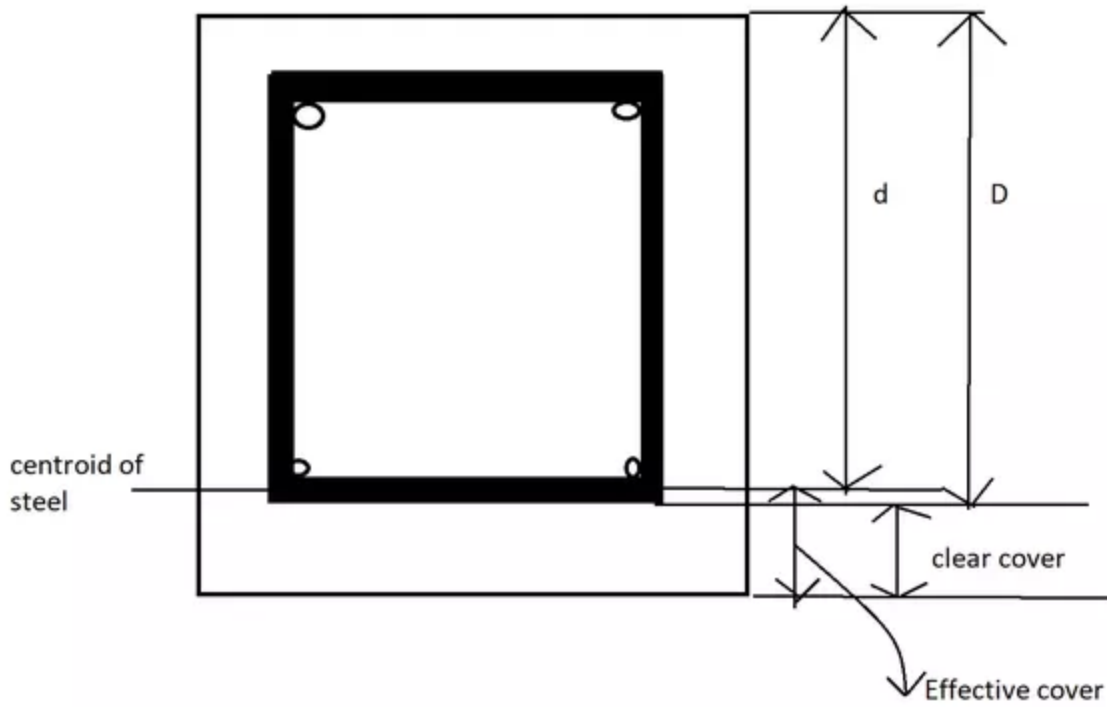
ABSTRACT: **Cover to reinforcement** is the shortest distance between the surface of a concrete member and the nearest surface of the **reinforcing** steel.

What is the minimum cover for reinforced concrete?

Minimum clear **cover** to the **reinforcement**: 25 mm to bars in columns. In large columns, say 450 mm in thickness, the **cover** should be 40 mm.

What is cover in civil engineering?

Concrete **cover**:- ... **Cover** is defined as the Distance between the outer surface of the concrete to the inserted reinforcement.



Length & Width of Column

Spacing = 0.025m

Length & Width of Reinforcement

Copyright civilread.com

www.civilread.com

CONCRETE COVER FOR COLUMNS/BEAMS

