

CSE

Microcontroller Application

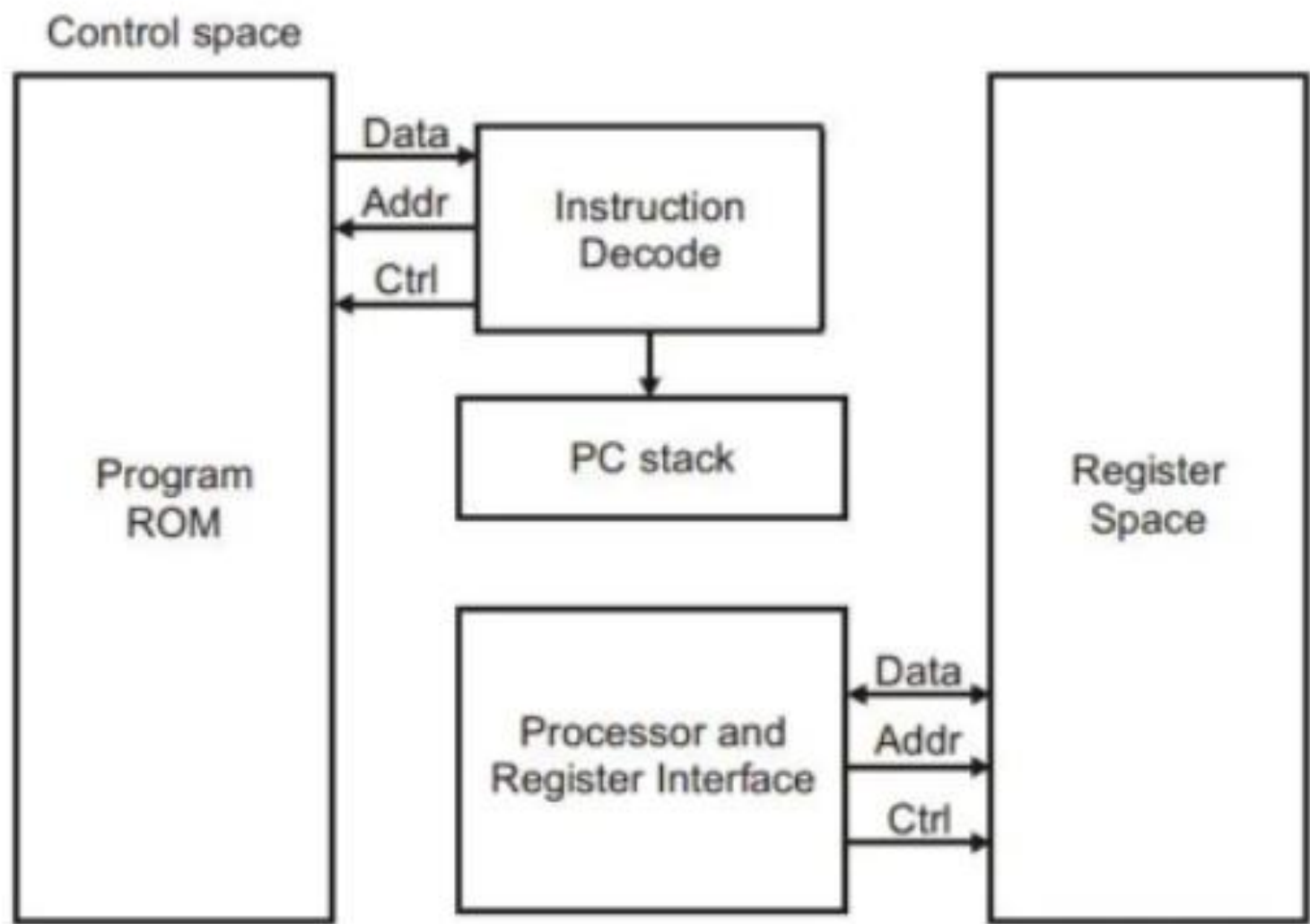


Created by
Md. Forhad Hossain

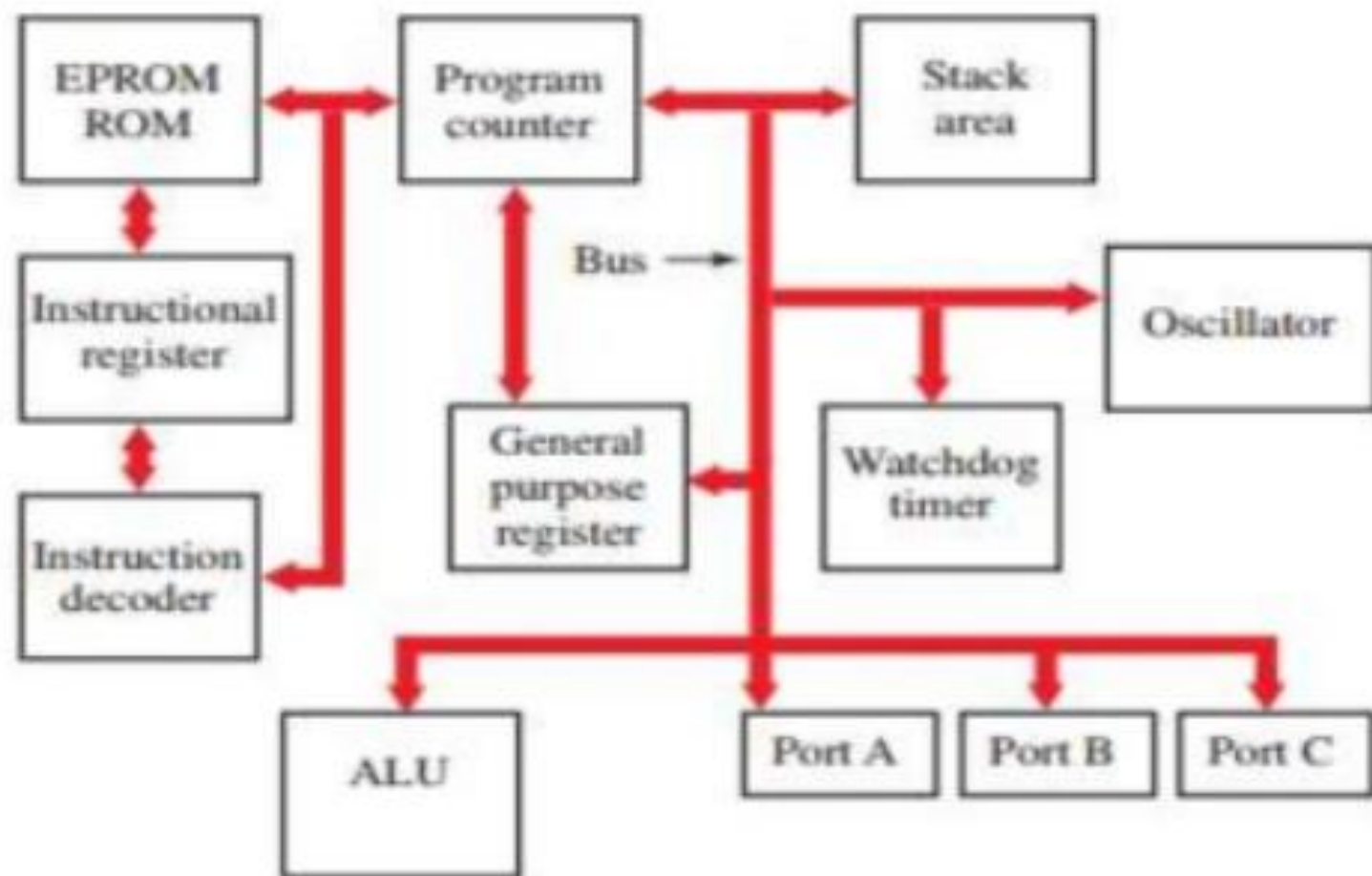


2. HARVARD ARCHITECTURE

- ❑ Separate data bus and an instruction bus.
- ❑ Execution occur in parallel.
- ❑ Much faster execution than Von-Neuman architecture.
- ❑ Design complexity.
- ❑ Example: intel MCS-51 family and PIC microcontrollers.



GENERAL MICROCONTROLLER ARCHITECTURE



Thank You