

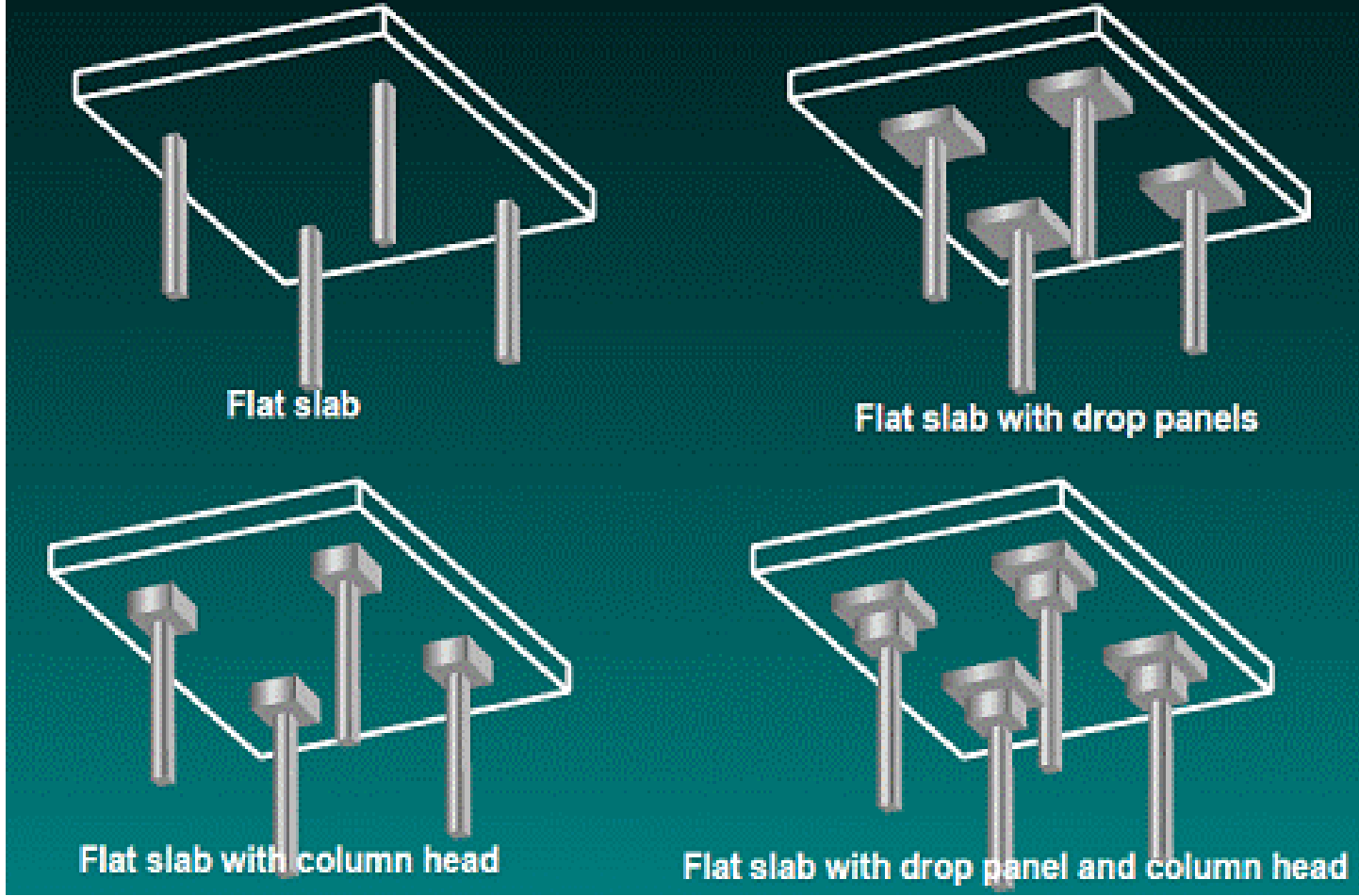
Design of Structure-2

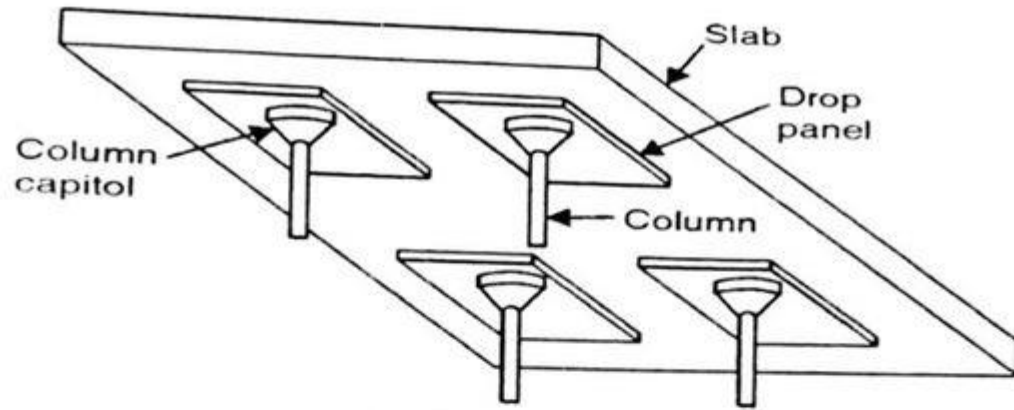
Prepared by: Bikash Debnath

Civil Technology

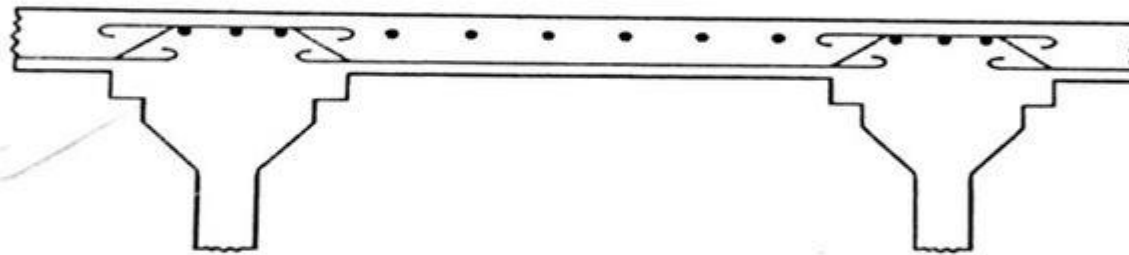
Concept of Floor or Roof Slab

- ▶ RCC Floor Slab
- ▶ Loads to be Considered
- ▶ Comparison of One way and Two way Slab

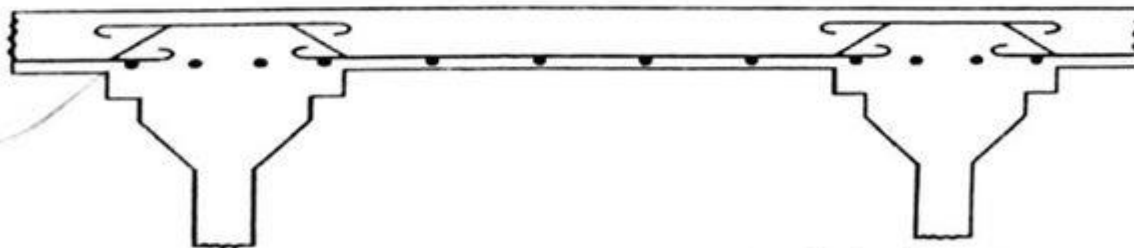




(a) The floor system

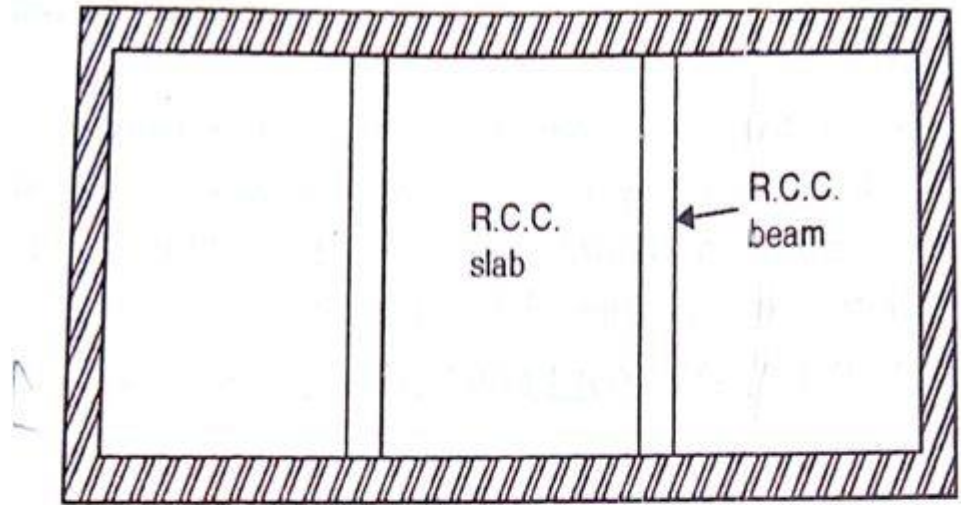


(b) Reinforcement along column strip of long span

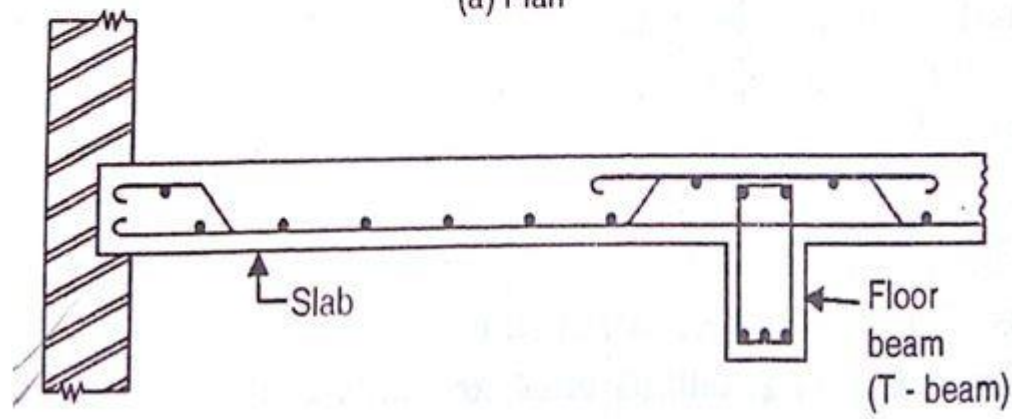


(c) Reinforcement along middle strip of short span

FIG. 12.7. FLAT SLAB CONSTRUCTION.



(a) Plan



(b) Section (Enlarged)

FIG. 12.6. BEAM-SLAB FLOORING.