

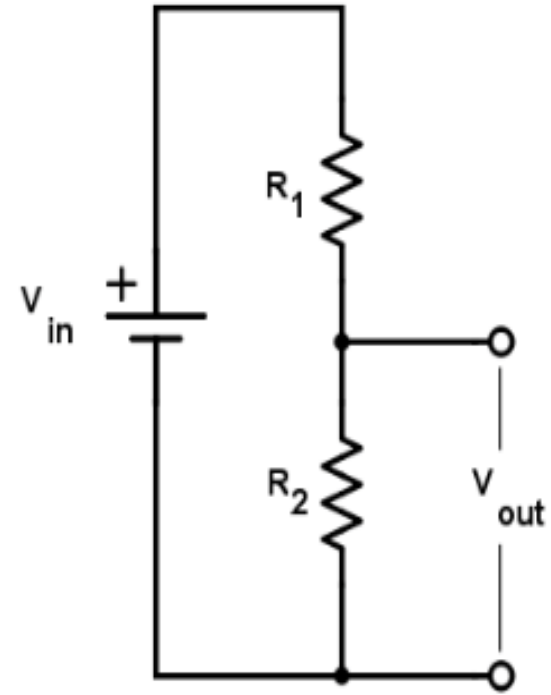
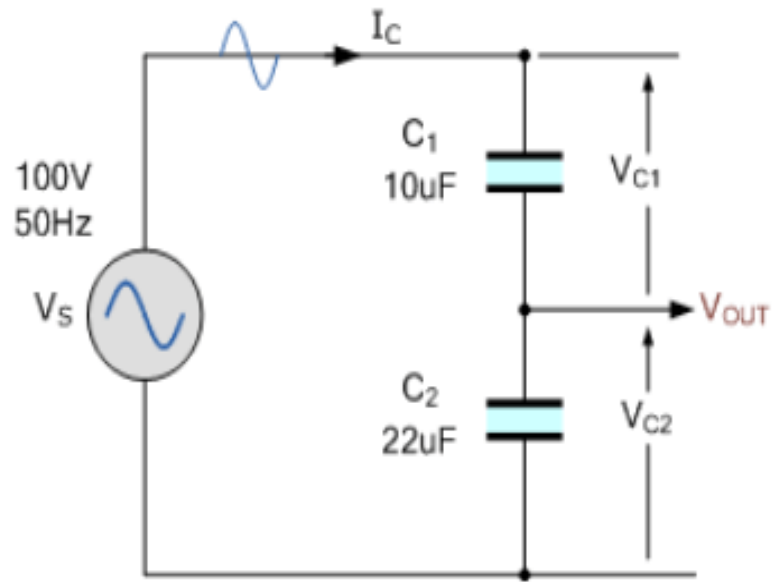
Chapter-11

(Understand the high voltage measurement and testng)

Lecture-1



What is a Voltage Divider?



Electrical 4 U

Definition of a HV Measurement and testing?

- The electrical power demand is rising rapidly. Now days, huge quantity of electrical power is necessary to transmit from one place to other for fulfilling this rising power demand. Bulk power transmission can be most efficiently done through high voltage electrical power transmission system. Hence, high voltage system becomes most essential requirement for power transmission. The equipment's used in these high voltage transmission system, should be capable of withstanding this high voltage stress. But in addition to that normal high voltage withstanding capability, high voltage equipment must also be capable of withstanding different over voltages during its operational life span. These different over voltages may occur during various abnormal conditions.

High voltage measurement system for 1000pf is the testing object. The impulse Voltage supply, V_s is 91kV and the frequency 50kHz. Find the value (Ω) of voltage divider.

