

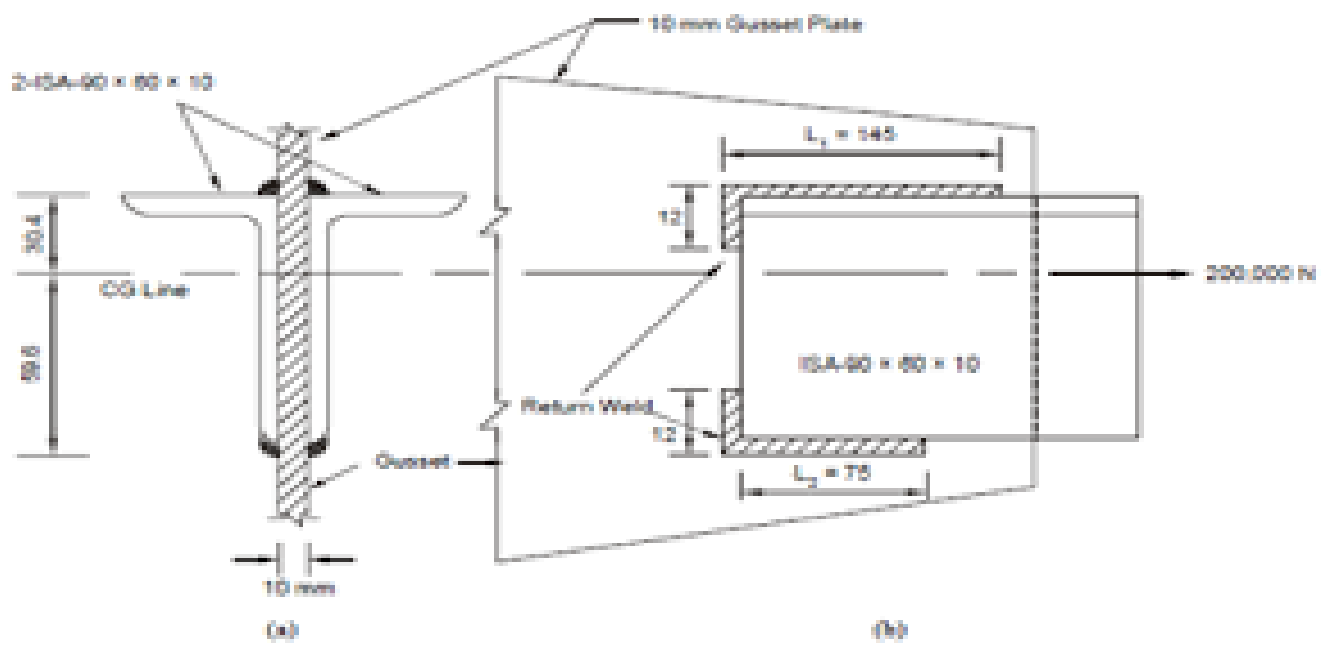
# STRUCTURAL MECHANICS

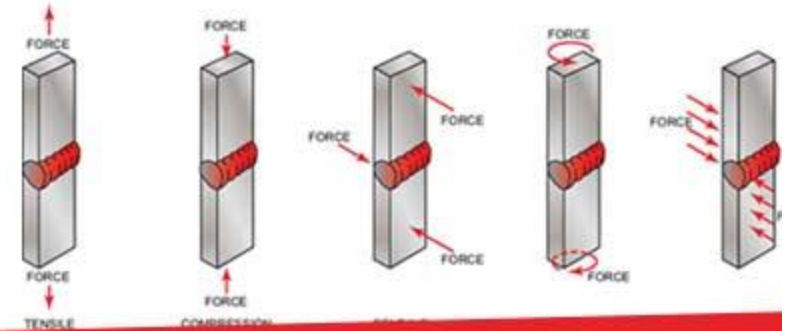
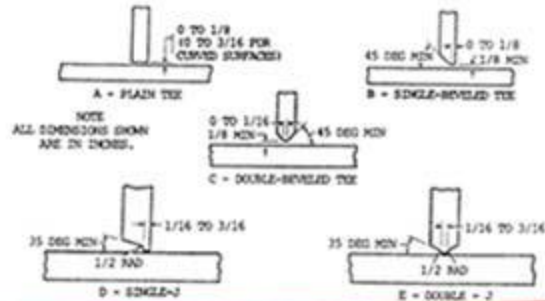
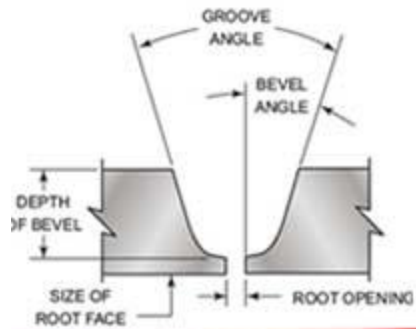
Conducted By: BIKASH DEBNATH

Civil Technology

# Understand the significance of welded connections

- • Fillet
- • Leg
- • Throat
- • Classify different types of welded connections
- Merits and Demerits of welded connections
- Problems on fillet weld connectio





# Types of Welding Joints



(A)



(B)

