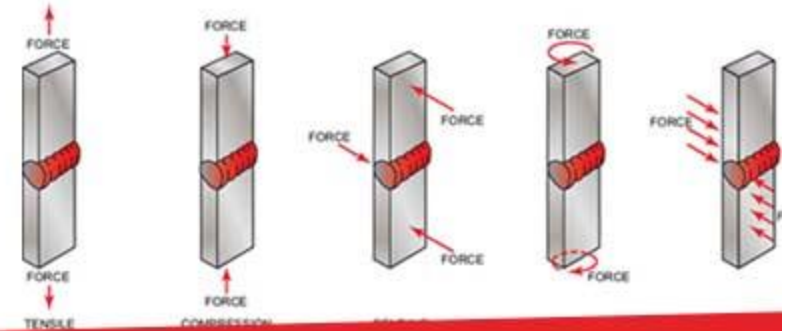
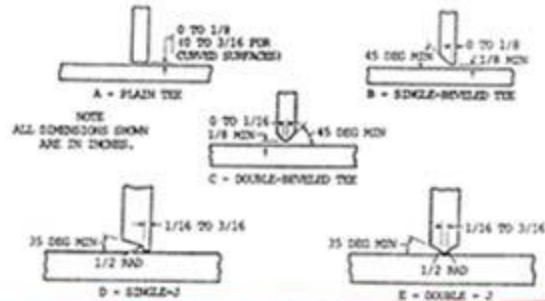
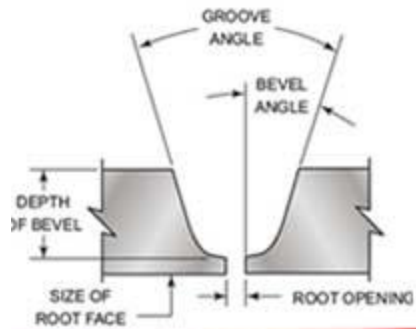


# Theory of Structure

**Conducted By: BIKASH DEBNATH**  
**Civil Technology**

# Understand the significance of welded connections

- Fillet
- Leg
- Throat
- Classify different types of welded connections
- Merits and Demerits of welded connections
- Problems on fillet weld connection



# Types of Welding Joints



(A)



(B)

