

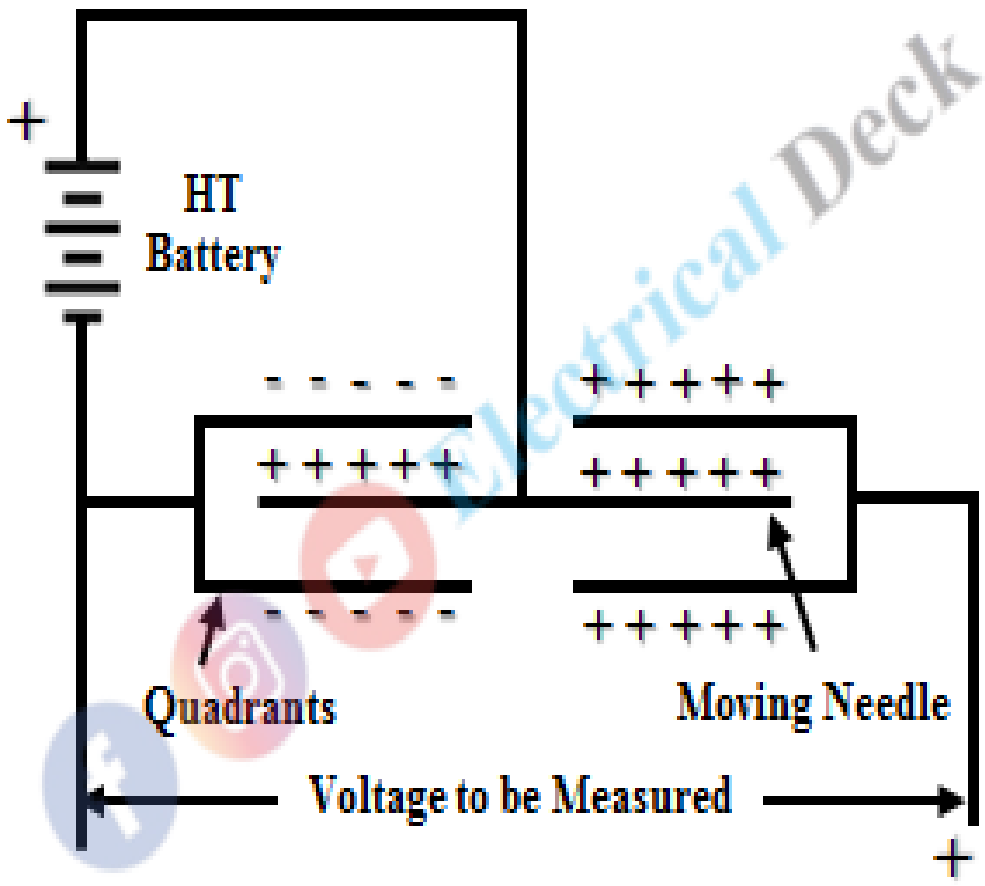
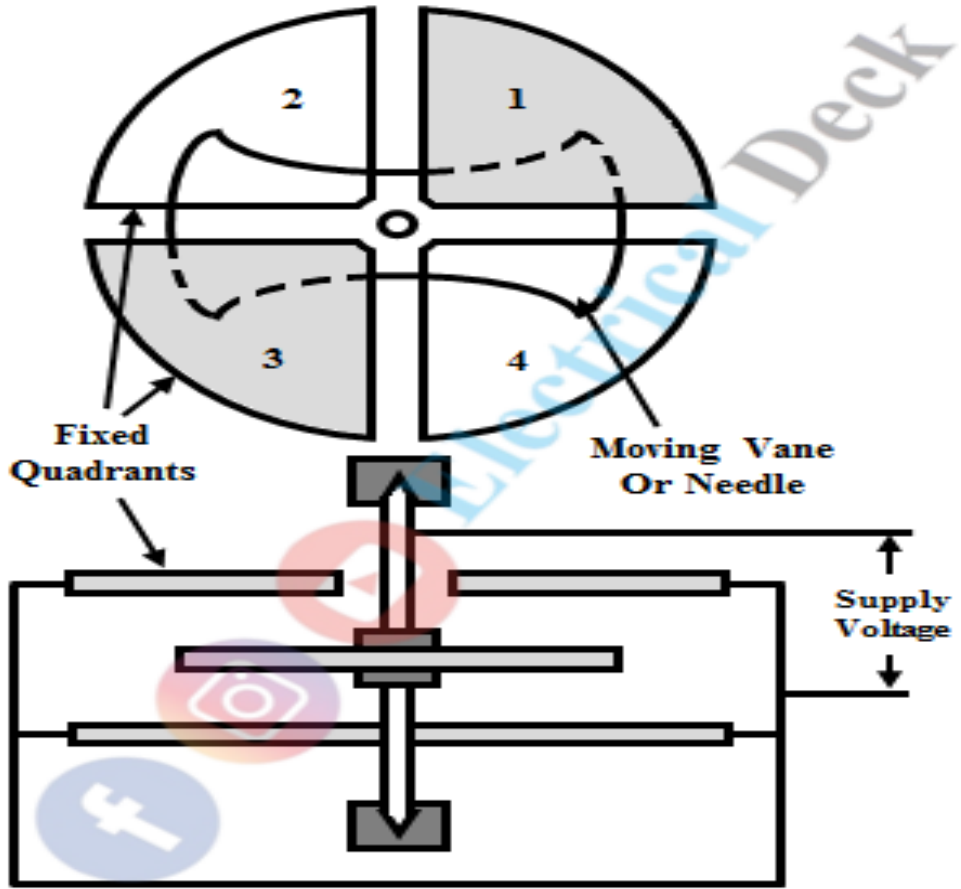
Chapter:8

(Electrostatic Voltmeter)

Lecture:2

1. Attracted disc type:

- An attracted disc type electrostatic instrument is basically known as a portable electrostatic instrument. This device contains two semicircular plates one being stationary and the other rotating. Both the plates are electrically insulated from each other.



Quadrant type:

- In the cartesian system, the coordinate plane is divided into four equal parts by the intersection of the x-axis(the horizontal number line) and the y-axis(the vertical number line). These four regions are called Quadrants; because they each represent one-quarter of the whole coordinate plane.

