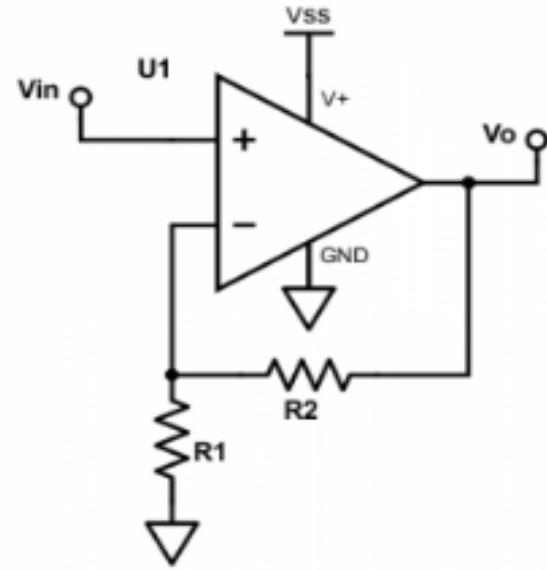
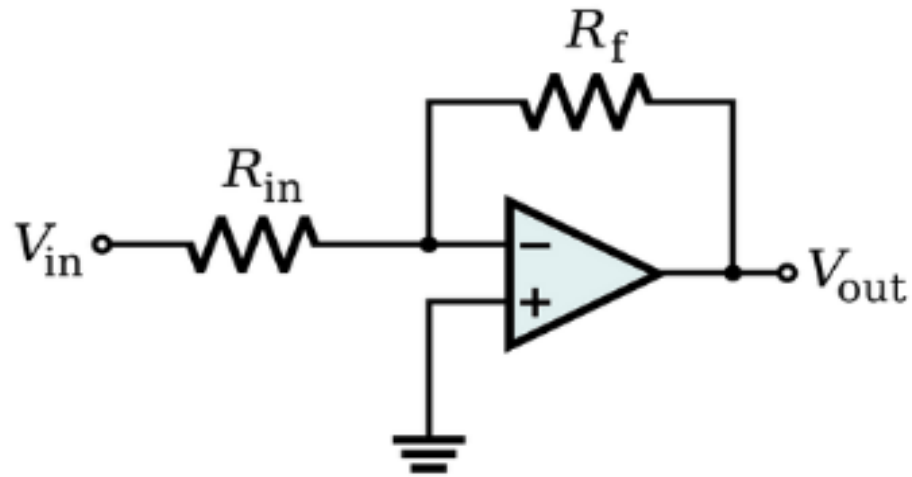


# Chapter-7

## (The concept of BJT Amplifier)

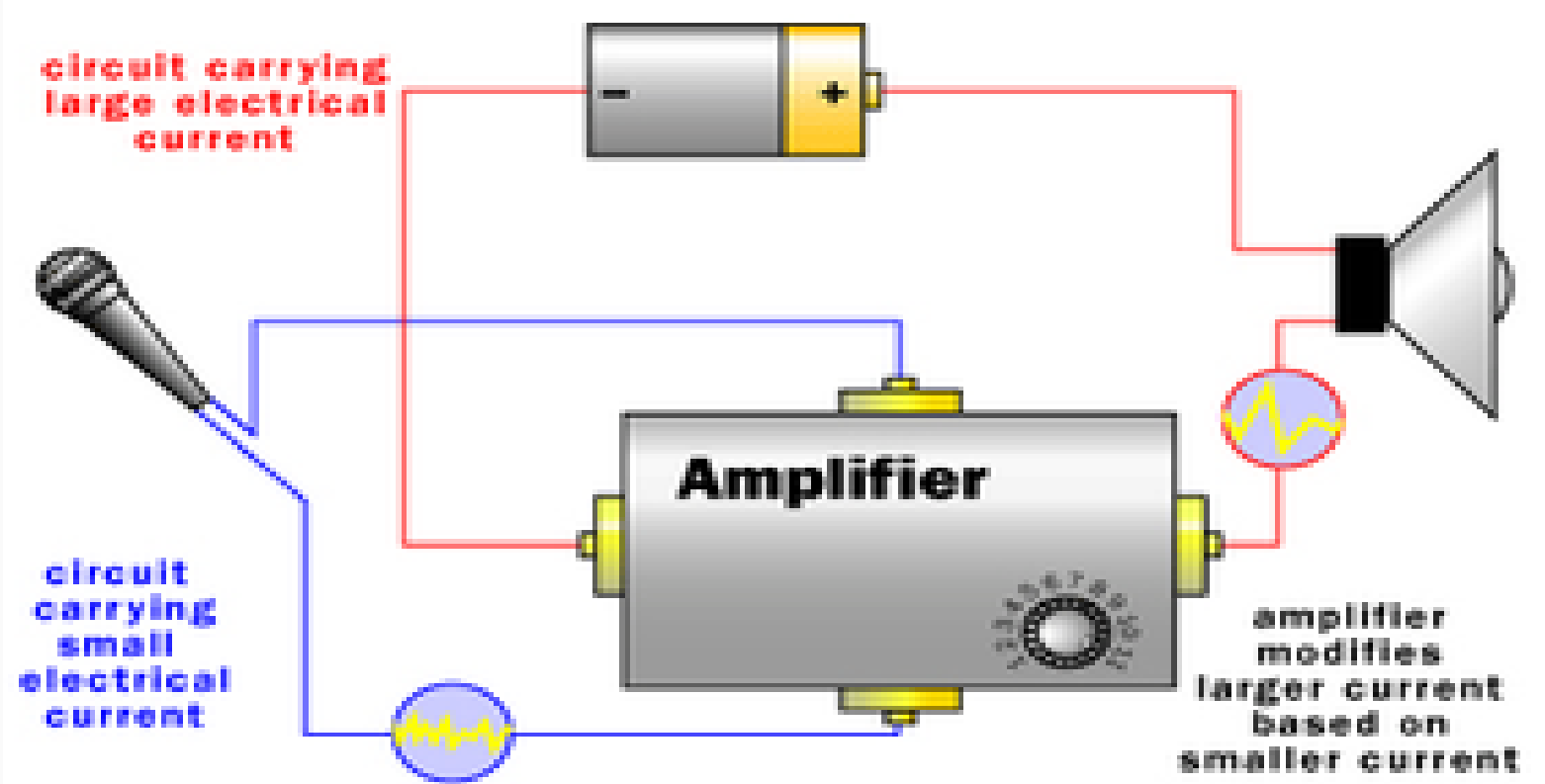
Presented by  
Hasan Murad Munna

# What is an Inverting Amplifier?



**Electrical 4 U**

# How Amplifiers Work





Two port network Amplifier

## Classification of Amplifiers

Type of Signal	Type of Configuration	Classification	Frequency of Operation
Small Signal	Common Emitter	Class A Amplifier	Direct Current (DC)
Large Signal	Common Base	Class B Amplifier	Audio Frequencies (AF)
	Common Collector	Class AB Amplifier	Radio Frequencies (RF)
		Class C Amplifier	VHF, UHF and SHF Frequencies