

Chapter-4

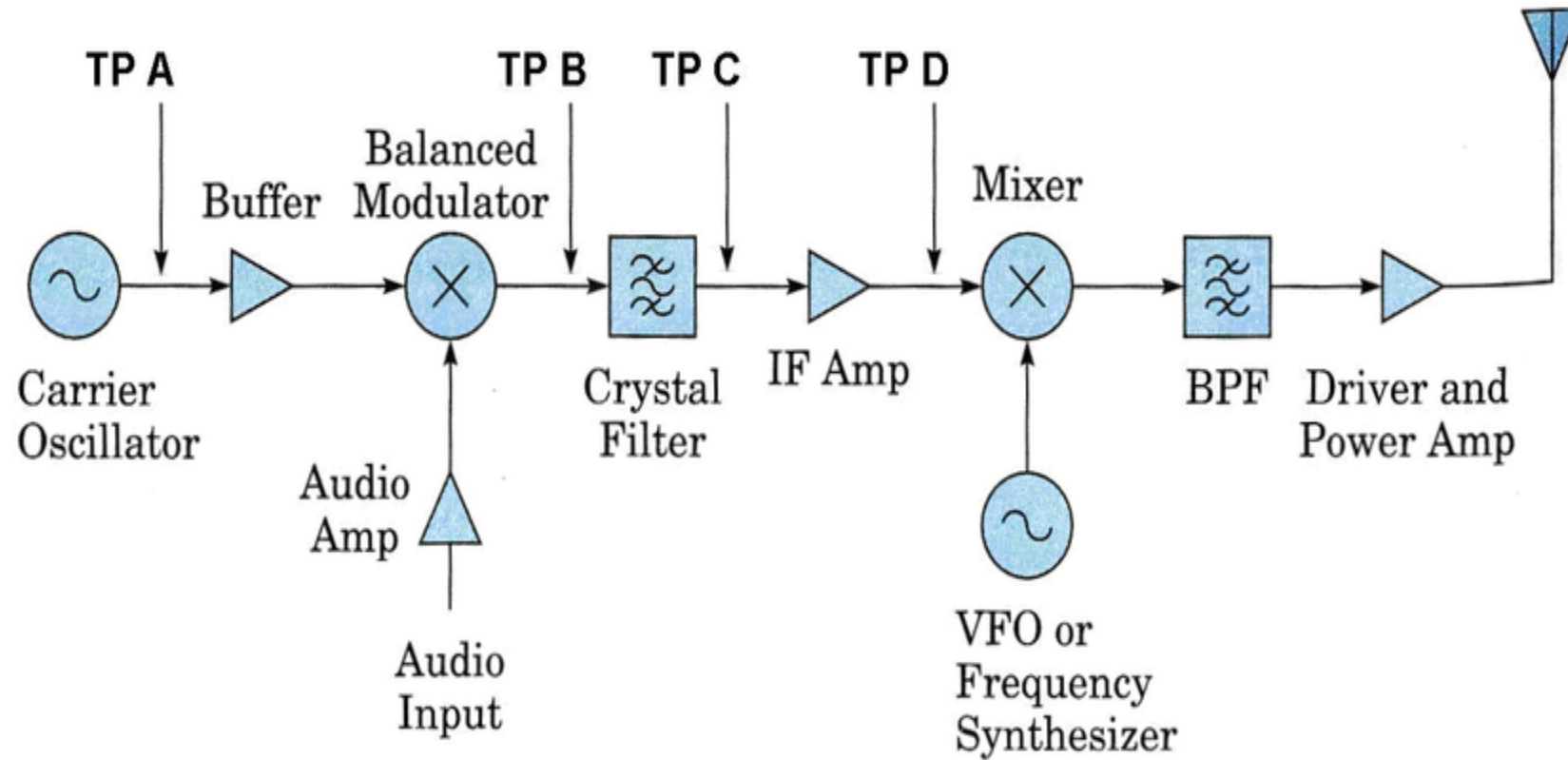
(Lecture-2)

Presented by
Hasan Murad Munna

SSB Transmitter Operation:

- What is SSB transmitter?
- Image result for SSB transmitter block diagram explanation
- In radio communications, single-sideband modulation (SSB) or single-sideband suppressed-carrier modulation (SSB-SC) is a type of modulation used to transmit information, such as an audio signal, by radio waves. A refinement of amplitude modulation, it uses transmitter power and bandwidth more efficiently.

SSB Transmitter Block Diagram :



Super Heterodyne AM Radio Receiver:

- Operation:
- Superheterodyne AM Receiver. A superheterodyne receiver uses signal mixing to convert the input radio signal into a steady intermediate frequency (IF) that can be worked with more easily than the original radio signal that has a different frequency, depending on the broadcasting station.

