

Chapter-2

Create Schematic Symbol of an Unavailable Part

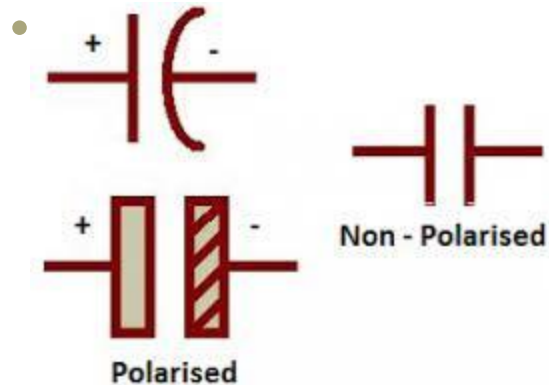
Prepared by

Afifa Hoque

Identify an Unavailable Part

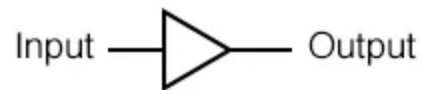
- Capacitor

Resistor

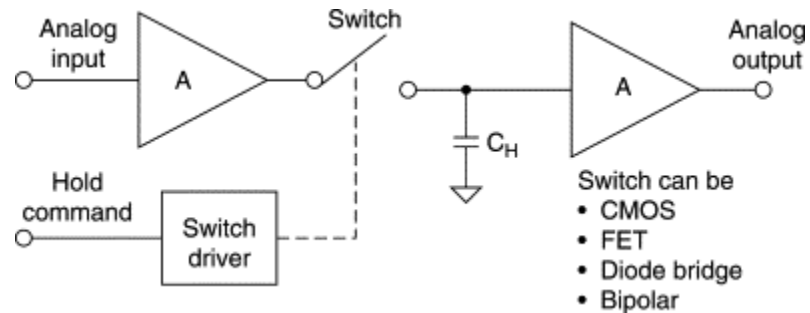


Buffer Gate/Circuit

"Buffer" gate



Input	Output
0	0
1	1



Circuit Diagram

